

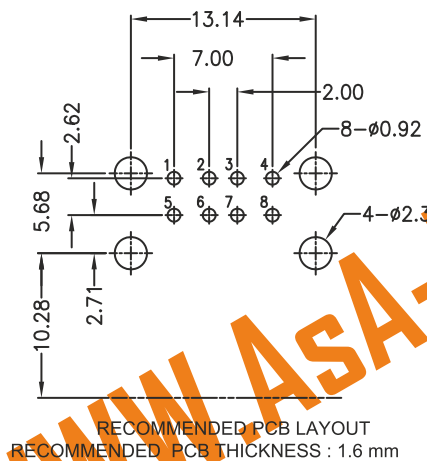
1

2

3

4

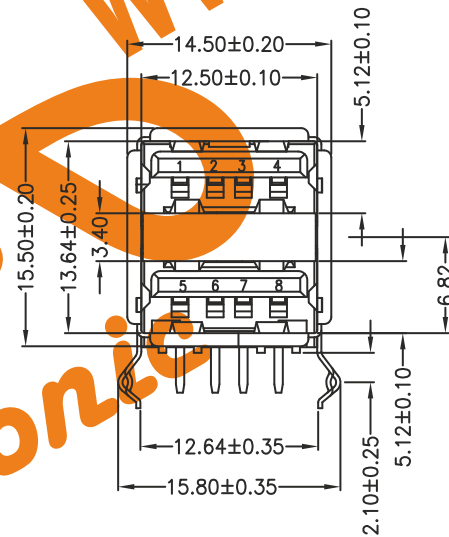
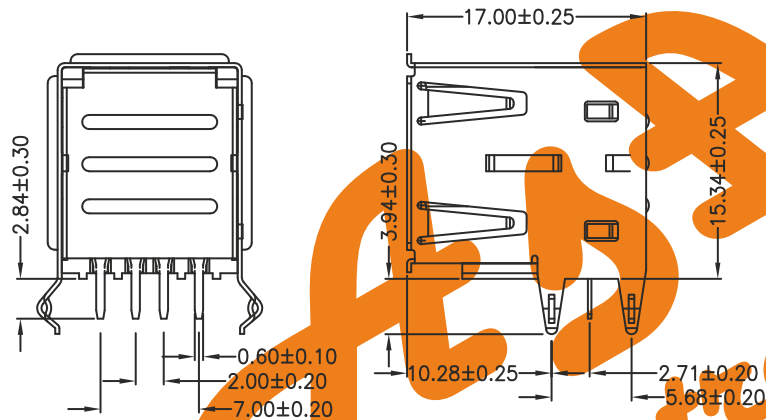
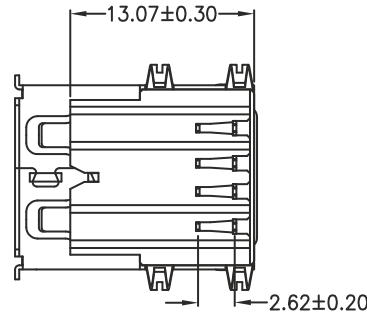
5



MATERIAL
INSULATOR: PBT
FLAMMABILITY RATING: UL94-V0
COLOR: WHITE
CONTACT MATERIAL: COPPER ALLOY
CONTACT TYPE: STAMPED
CONTACT PLATING: SELECTIVE GOLD
SHIELDING: BRASS Ni PLATED
QUALITY CLASS: 1500 MATING CYCLES

ENVIRONMENTAL
OPERATING TEMPERATURE: -40°C UP TO +105°C
COMPLIANCE: LEAD FREE AND ROHS

ELECTRICAL
CURRENT RATING: 1.5 A
WORKING VOLTAGE: 30 V
INSULATOR RESISTANCE: >1000 MΩ
DIELECTRIC WITHSTANDING VOLTAGE: 750 VAC/MIN
CONTACT RESISTANCE: 20 mΩ MAX



WWW.AsA-Elec.com

AsA Electronic Co.

Tel : (+98) 21 66 73 56 82 Mob : (+98) 912 03 161 02

RoHS Compliant

N	TPK	AK
M	PCB THICKNESS	QP
L	REVIEW	QL
K	23-MAY-13	CURRENT RATING
J	DESIGNATION	AR
I	DESCRIPTION	GG
H	NEW DRAWING	GG
REV	FILE	BY

PROJECTION:	
APPROVAL: NPr	

GENERAL TOLERANCE	.X = +/- 0.2
	.XX = +/- 0.15

UNIT: MM
SCALE:
SHEET: 1/3
DRAW: NPr

DESCRIPTION: DUAL USB 2.0 TYPE A HORIZONTAL

SIZE	A4
------	-----------

Telegram:09396994470